

# GLASS GATOR™

## HEAVY DUTY GLASS SCRAPER

Remove coatings, paint, putty and stickers from glass, mirrors, tile or windshields. Stronger, safer, more reliable and user-friendly. Ergo-engineered shape fits the fist for better grip and precise control. Positive blade lock and safe retraction. Longer handle keeps hands farther away from sharp blade edge.

Get your hands on Hyde® tools.

**HYDE**  
**TOOLS**

VISIT THE ONLINE **HYDE** CATALOG

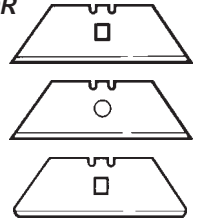
<http://www.hydetools.com>  
[custrelations@hydetools.com](mailto:custrelations@hydetools.com)

FAX (508) 765-5250  
1-800-USA-HYDE  
1-800-872-4933

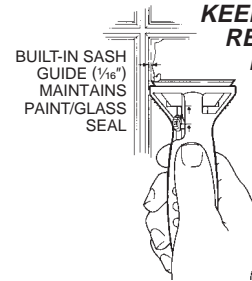


SHOWN AT ACTUAL SIZE

ACCEPTS ALL STANDARD  
UTILITY KNIFE BLADES  
(ROUND OR  
SQUARE  
HOLE)



POSITIVE BLADE LOCK  
HOLDS BLADE EXTENDED  
DURING WORK OPERATIONS  
KEEPS BLADE  
RETRACTED  
FOR SAFE  
STORAGE



BUILT-IN SASH  
GUIDE (1/16")  
MAINTAINS  
PAINT/GLASS  
SEAL

ERGO-ENGINEERED SHAPE  
FITS THE FIST FOR BETTER  
GRIP AND PRECISE CONTROL

POLYPROPYLENE CONSTRUCTION  
RESISTS MOST COMMON  
PAINT THINNERS

LARGE LOOP TO HANG TOOL

**13080**  
Glass Gator™  
Heavy Duty  
Glass Scraper

# GLASS GATOR™

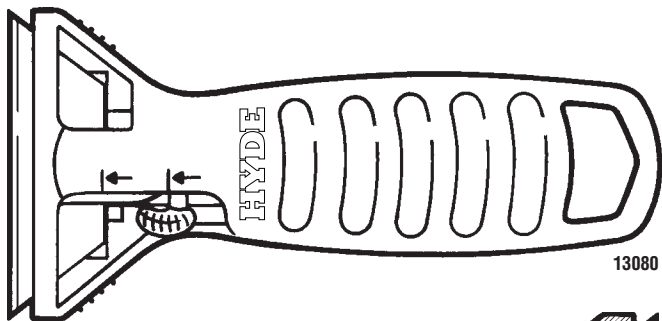
## HEAVY DUTY GLASS SCRAPER

### 13080 Glass Gator™ Retractable Heavy Duty Glass Scraper

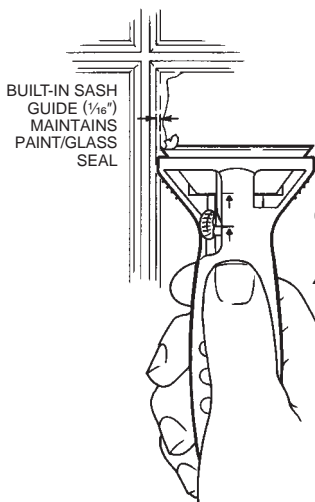
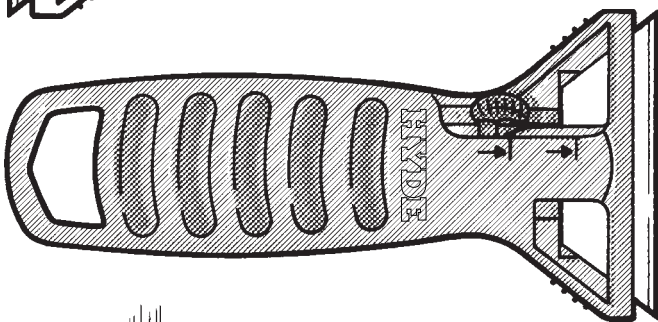
Remove coatings, paint, putty and stickers from glass, mirrors, tile or windshields. Stronger, safer, more reliable and user-friendly. Ergo-engineered shape fits the fist for better grip and precise control. Positive blade extension and safe retraction. Longer handle keeps hands farther away from sharp blade edge.

Carded 1 Blade

1.4 lb/10 pk



13080



BUILT-IN SASH GUIDE (1/16") MAINTAINS PAINT/GLASS SEAL



**WEAR SAFETY GLASSES**



**CAUTION: SHARP BLADES. NOT FOR USE BY CHILDREN. USE EXTREME CARE WHEN CHANGING BLADES. ALWAYS WRAP SHARP BLADE EDGES BEFORE DISPOSAL.**



**42115 Universal Utility Knife Blades (5)** Designed to fit most utility knives .025" thick.

Carded 5 Blades/Pkg.

0.5 lb/10 pk



**Heavy Duty Utility Knife Blades** Designed to fit most utility knives .025" thick.

**42100 Heavy Duty Utility Knife Blades (5)**

Carded 5 Blades/Pkg.

0.6 lb/10 pk

**42104 Heavy Duty Utility Knife Blades (10)**

Carded 10 Blades/Pkg.

1.2 lb/10 pk

**42150 Heavy Duty Utility Knife Blades (100)**

Boxed 100 Blades/Box

0.9 lb/1 pk



**Heavy Duty Rounded-Tip Utility Knife Blades** Rounded blade tips help protect against accidental cuts. Designed to fit most utility knives .025" thick. U.S. Pat. Pend.

**42117 Heavy Duty Rounded-Tip Utility Knife Blades (5)**

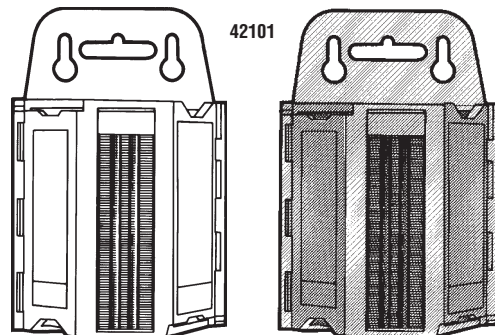
Carded 5 Blades/Pkg.

0.5 lb/10 pk

**42118 Heavy Duty Rounded-Tip Utility Knife Blades (100)**

Boxed 100 Blades/Box

1.0 lb/1 pk



**Utility Knife Blade Dispensers** One blade dispensed at a time. Designed to be wall hung or fits easily into a tool box.

**42101 Heavy Duty Utility Knife Blade Dispenser (100)**

Dispenser holds 100 heavy duty (42100) utility blades.

Carded 100 (42100) Blades

4.5 lb/1 pk

**42102 Heavy Duty Rounded-Tip Utility Knife Blade Dispenser (100)**

Dispenser holds 100 heavy duty (42117) rounded-tip utility blades.

Carded 100 (42117) Blades

4.5 lb/1 pk

**42103 Heavy Duty Utility Knife Blade Dispenser (50)**

Dispenser holds 50 heavy duty (42100) utility blades.

Carded 50 (42100) Blades

6.0 lb/10 pk

**\*42109 Regular Duty Rounded-Tip Utility Knife Blade Dispenser (50)**

Dispenser holds 50 regular duty (.017") rounded-tip utility blades.

Carded 50 Blades

3.1 lb/5 pk

**HYDE TOOLS**



Southbridge, MA 01550

1-800-USA-HYDE

1-800-872-4933

FAX (508) 765-5250

custrelations@hydertools.com

http://www.hydertools.com

© 1999 Hyde® Manufacturing Company

Made in U.S.A.